

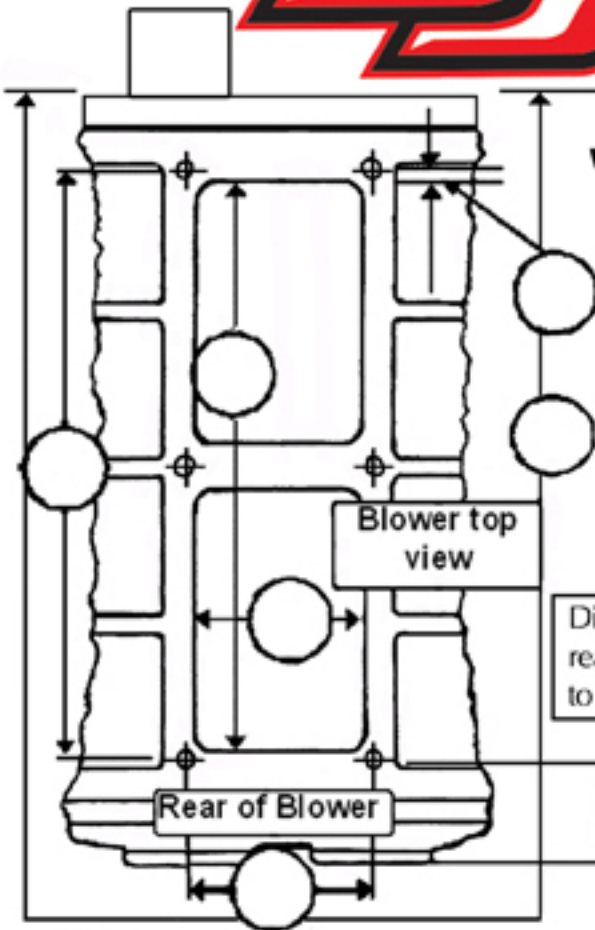


# SFI 14-3

2623 N. San Fernando Rd.  
Los Angeles, Ca 90065

phone 323-221-0000 fax 323-221-0001

www.DJSAFETY.com info@djsafety.com



Total distance from the front of the blower around the blower and back to the front.  
6-71=48" 8-71=50"  
14-71=56" or 60"

Distance from the rear of the blower to the bolt holes.

Name \_\_\_\_\_

Address \_\_\_\_\_

Phone \_\_\_\_\_

Fax \_\_\_\_\_

Cell \_\_\_\_\_

E-Mail \_\_\_\_\_

Type of Car \_\_\_\_\_

Engine Manufacture \_\_\_\_\_

KB, TFX, Chevy, Ford, etc

Cylinder Heads \_\_\_\_\_

Blower Size (4-71)(6-71)(8-71)(10-71)(12-71)(14-71)

circle one

Blower Manufacture \_\_\_\_\_

SSI, Mooningham, B&M, Miller, Littlefield, Kobelco, etc

Intake Manifold \_\_\_\_\_

Manufacture & Model

Injector \_\_\_\_\_

Manufacture & Model

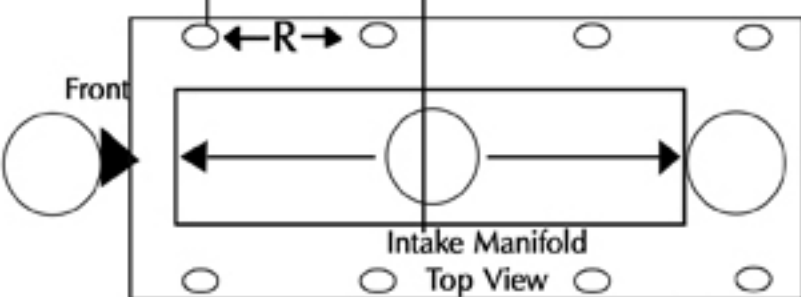
Starter Plate \_\_\_\_\_

3post, 4post Manufacture & Model

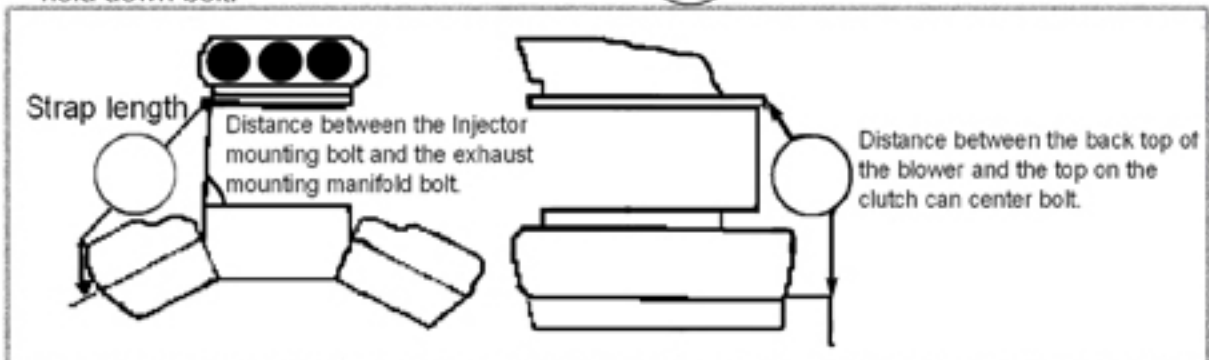
Comments: \_\_\_\_\_

\_\_\_\_\_  
\_\_\_\_\_  
\_\_\_\_\_

○ = the measurements that you have taken of your blower. Please fill in each circle with exact measurements.



R is the distance from the front opening of the intake manifold and the right front blower hold down bolt.



After you have filled out this form completely then fax or scan & email to DJ Safety.